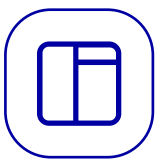
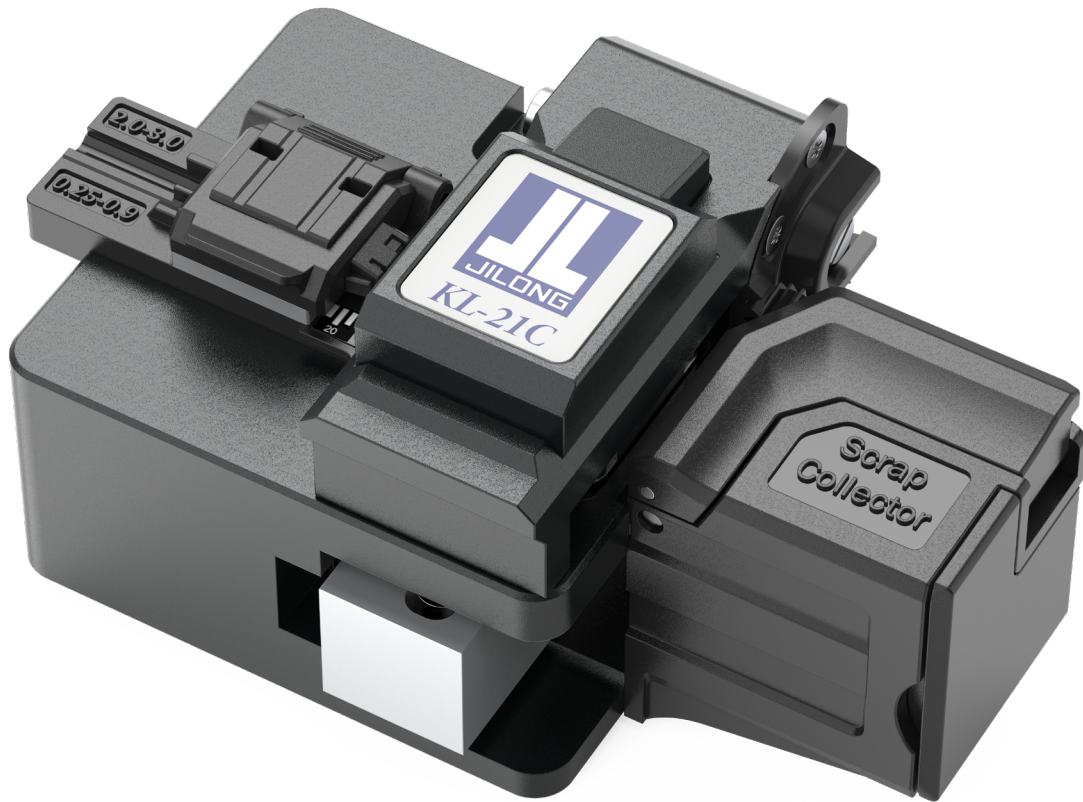


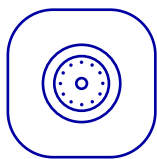
**JILONG**  
Since 1993

# KL-21C

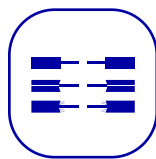
## High Precision Fiber Cleaver



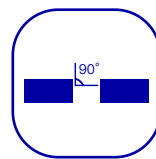
Traditional bench  
top design



48000  
Blade life



All-in-1 Universal  
fiber holder



$\leq 0.5^\circ$   
Cleaved angle



Auto Fiber  
Offcut Bin



## Characteristics Description

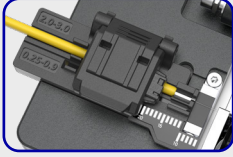
- Traditional bench top design, simple and easy to use
- Blade life 48,000 cleaves
- Typical Cleave Angel  $0.5^\circ$
- Auto Fiber Offcut Bin
- Applicable to 250 $\mu$ m, 900 $\mu$ m, 3.0mm fiber cable and flat cable
- Large capacity waste fiber bin, automatic collecting, reduce pollution and scratches



# Main Features



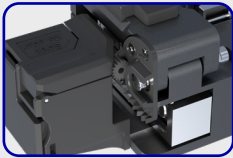
Silicone pressure pad can effectively hold down the fiber.



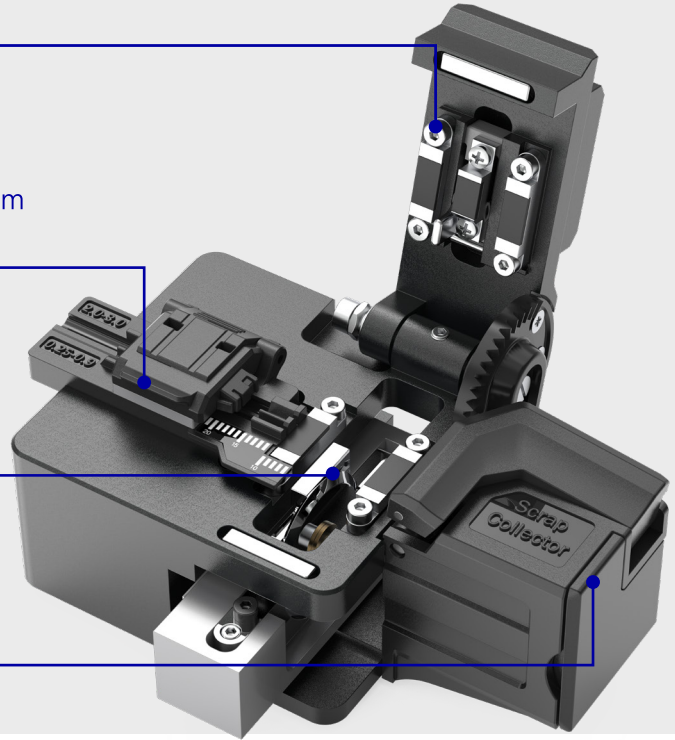
Applicable to 250 $\mu$ m, 900 $\mu$ m, 3.0mm fiber cable and flat cable.



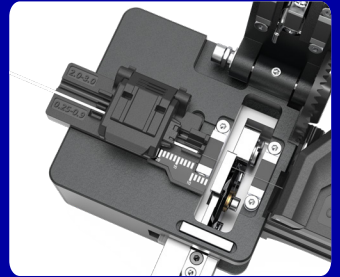
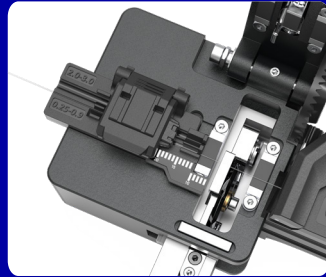
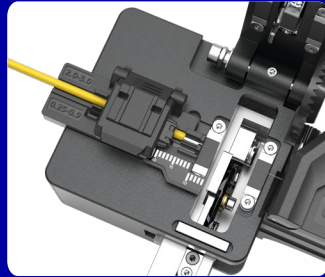
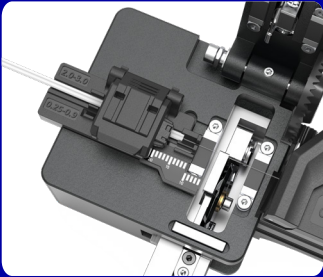
Tungsten steel refined blade  
Wear resistance, high hardness,  
corrosion resistance.



Auto Fiber Offcut Bin.

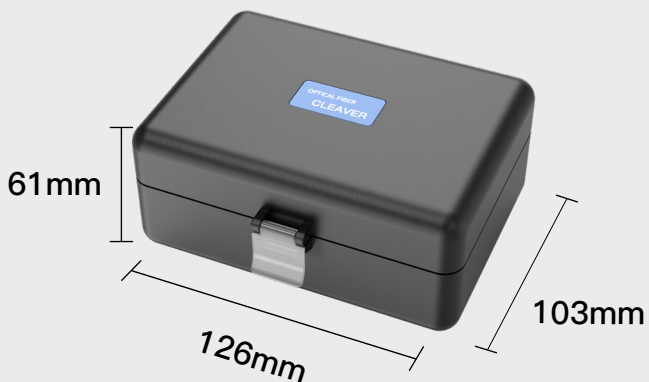


## All-in-1 Universal Fiber Holder



## Special carrying case

The card slot in the box is designed to effectively protect the cleaver body from damage.





## Product Specifications

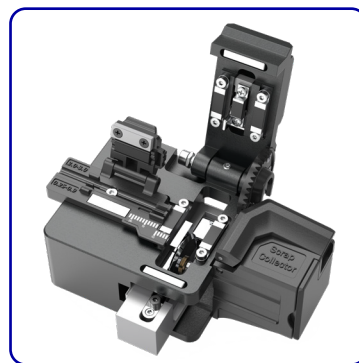
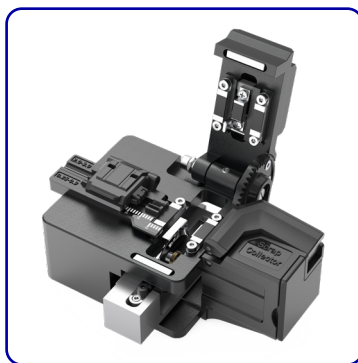
Fiber Material	Silica glass
Cladding Diameter	125 μm
Cleaved Length	Single fiber: 8~20mm / Ribbon fiber: 10mm
Applicable Fiber Cable	Single fiber: 250μm, 900μm, 3.0mm; Fiber cable and flat cable Ribbon fiber: 2 to 12 ribbon fiber cable
Typical Cleaved Angle	Less than 0.5° ★①
Typical Blade Life	Total 48,000 fiber cleaves (replaceable) ★②
Off-cut Collector	Pre-fitted
Type of Offcut Bin	Auto
Auto Return	Pre-fitted
Dimension	83W *77D*63H(mm)
Weight	355g

★① Cleaved angel may vary depending on the operating environment.

★② Blade life is not guaranteed. It may vary depending on the operating environment.



## Product Display



## Contact us

### Nanjing Jilong Optical Communication Co., Ltd

Address: 12F, Changfeng Technology Building 2, NO.14  
Xinghuo Rd, Pukou District Nanjing, Jiangsu, 210032, China

Tel: +86 25 58880885

Mail: info@jilongot.com

Web: www.JILONGOT.com



Focus on official  
website for more