

JILONG
Since 1993

500E Mini FTTx Fusion Splicer



Light weight
& Compact



Suitable for
working at height



No need tools to
replace electrodes



Automatic
welding heating



Feature Description

- Efficient, versatile, lightweight & portable
- Working platform design for aerial work
- Special 3-in-1 fiber holder
- 3 Year warranty policy
- Electrode life around 5000 times(Replaceable)
- Automatic splicing & automatic heating
- Innovatively no need tools to replace electrodes
- Support 120 times of splicing + heating when fully charged

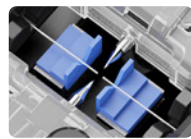
Main Features



Durable ceramic fiber pressure heads



Mirror design makes uniform light path



Special designed V-groove



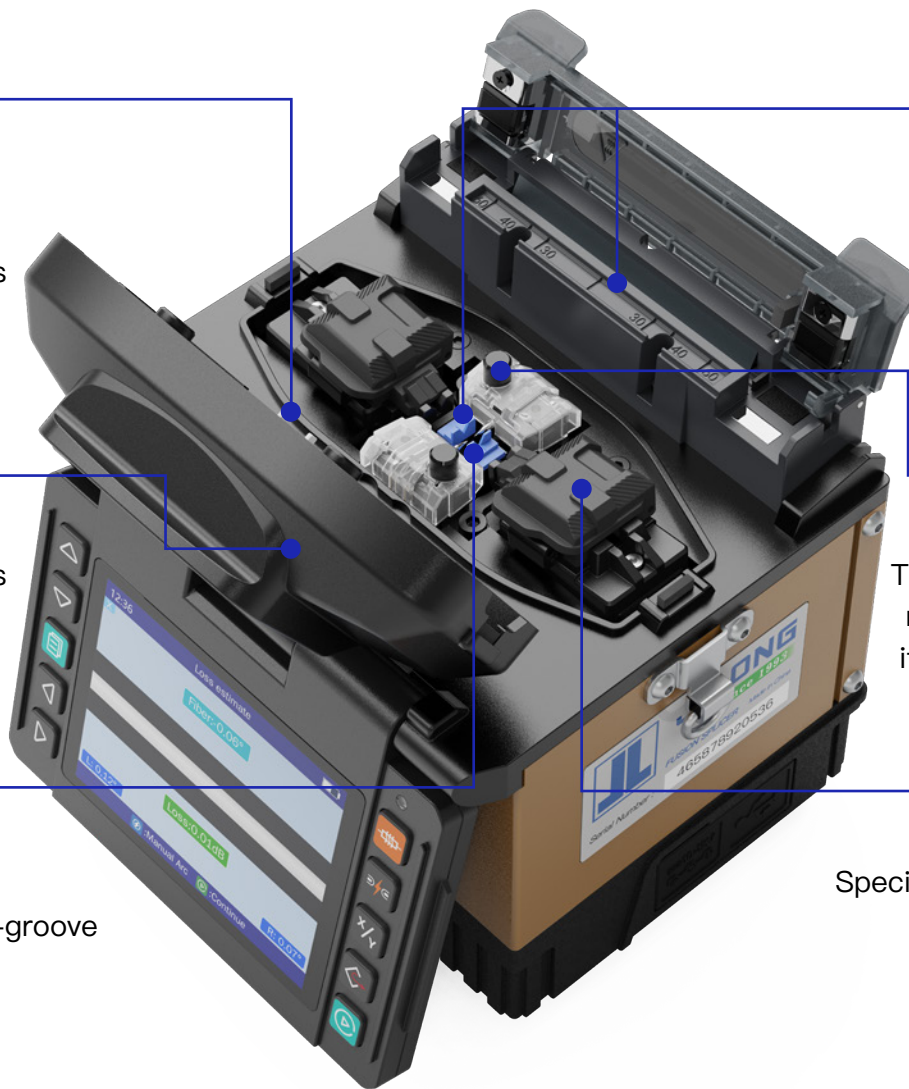
Fast-splicing 8s
Fast-heating 18s



The electrodes can be replaced by screwing it gently without tools



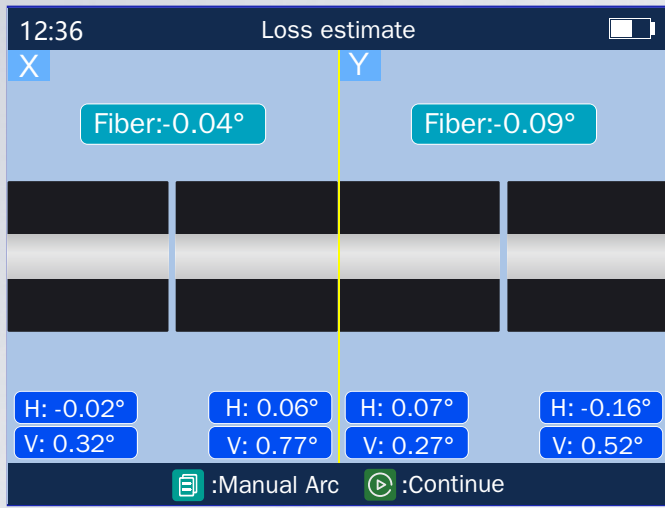
Special 3-in-1 fiber holder



3-IN-1 Fiber Holder

Fiber holder suitable for Bare Fiber/ 3.0mm, Jump Fiber/ Pigtail and Fiber/Rubber-insulated fiber cable





Fast-splicing
8s



Fast-heating
18s



Working platform design for aerial work

High altitude operation adaptability. Not only suitable for aerial work, also suitable for conventional ground work in any environment

Installation completion effect

Rich expansibility fiber optic cleaver operating platform (Optional)

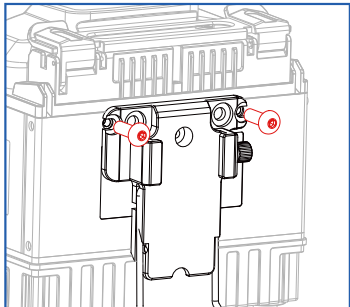
Support the placement of cleaver operating platform, do cleaving and splicing work in one step
(Operation platform be ordered separately)

Invention patent application number 202210544729.X
Utility model patent application number 202221202906.8

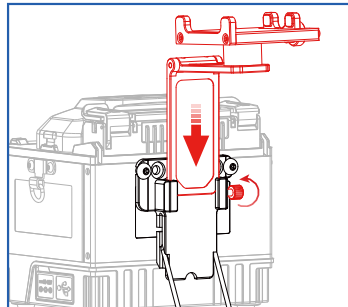


Suitable for different models fiber optic cleavers

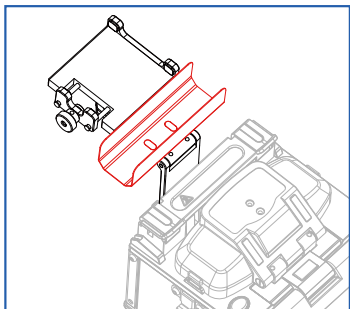
Installation instructions of fiber optic operating platform



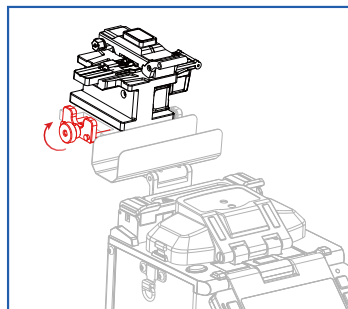
Step 1:
Install the fixing plate behind the fusion splicer with screws (M3/ M4/ M5).



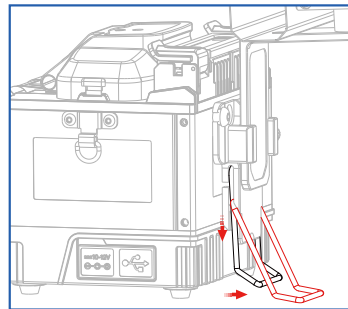
Step 2:
Insert the support plate into the fixing plate and tighten the fixing screws.



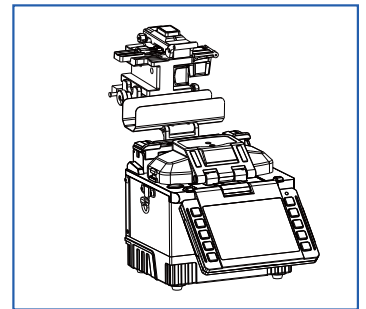
Step 3:
Place the cooling tray in the corresponding position of the support plate, and the installation is completed.



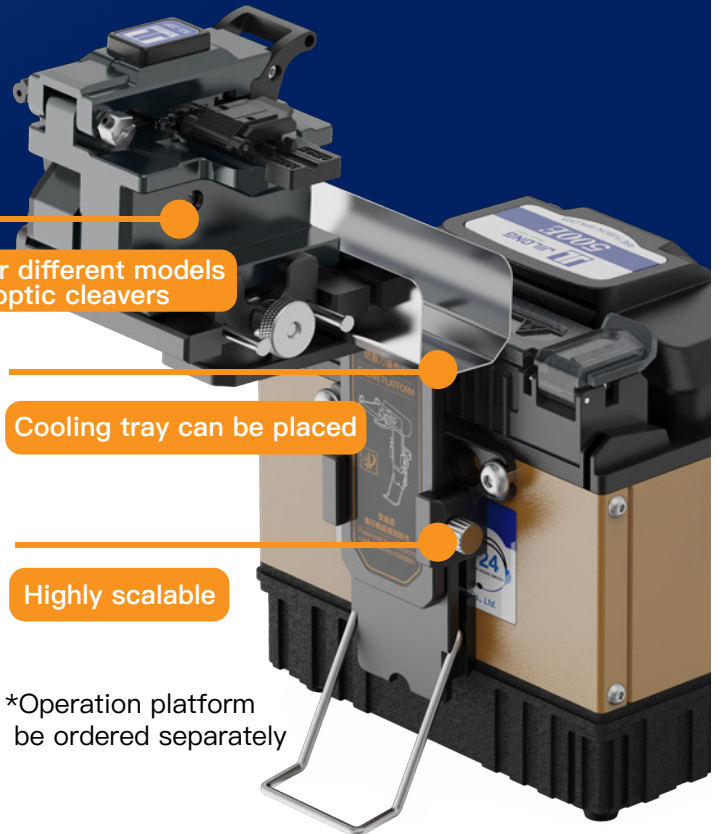
Step 4:
After placing the fiber cleaver on the operating platform, adjust the depth of the screw so that the rubber pad fits the cleaver completely.



Step 5:
Pull the bracket vertically to the bayonet, and then pull it horizontally to support the machine on the table.



Step 6:
Now, the bracket installed on the fusion splicer for placing the cleaver and the cooling tray is installed.



Splice Method :	Active Clad-Alignment
Applicable Fibers :	SM(ITU-T G.652&G.657) / MM(ITU-T G.651) / DS(ITU-T G.653) / NZDS(ITU-T G.655)
Compatible Fiber/Cable :	0.25~3.0 mm / indoor flat cable
Fiber Holder :	Replaceable
Fiber Diameter :	Cladding: 80~150μm, Coating: 100~1000μm
Fiber Cleave Length :	8~16 mm
Splice mode :	Max 128 modes
Typical Splice Loss :	SM: 0.03dB / MM: 0.01dB / DS: 0.04dB / NZDS: 0.04dB / G.657: 0.03dB ★①
Return Loss :	>>60dB
Splicing Time :	SM Quick mode : 8 sec / SM Average: 10 Sec
Estimated Splice Loss :	Available
Heating Time :	Quick mode 18 sec.(SM G652 250μm 40mm Sleeve) adjustable★②
Protection Sleeve Length :	20mm, 30mm, 40mm, 50mm, 60mm
Heat Programs:	Max 32 modes
Battery :	3400mAh Battery Capacity, Typical 120 Cycles (Splice&Heat) per Charge ★③
Electrode Life :	5000 arcs (replaceable) ★④
Auto-start :	Splice / Heating
Automatic Fiber Identification :	/
Automatic ARC Identification :	Automatic arc calibration by air pressure and temperature
Results Storage :	The last 10,000 splice records and 2,000 result images
Tension Test :	1.96~2.25N
Operating Condition :	Altitude: 0~5000m, 0~95% relative humidity, -20~50°C, Max Wind 15m/s
Storage Condition :	0~95% relative humidity, -20~60°C
Display :	3.5" color high resolution (800 x 480) display
Fiber Magnification :	X, Y, XY, X/Y : 320X Magnification
Power Supply :	AC 100~240V, DC 9~14V
Terminal :	USB2.0
Weight :	1.06kg without battery / 1.35kg with battery
Size :	130H x 113W x 126D mm

★① With identical fibres(in room temperature). Measured by cut-back method relevant to ITU-T and IEC standards.

★② 0.25mm fiber,may vary depending on the battery status and operating environment.

★③ Splice & Heat cycles based on 40mm shrink tube.

★④ Electrode life may vary depending on the operating environment.

Product Display



Packing List

- ① Carry bag (Including Suspenders & belts)
- ② Power charger
- ③ Cutter storage box
- ④ 500E Mini Fusion splicer
- ⑤ FOCW Cleaning wipes(box)
- ⑥ FPS-40 Splicing protector sleeves
- ⑦ Alcohol bottle
- ⑧ KL-22F Fiber optic cleaver
- ⑨ FTS-01 Drop cable stripper
- ⑩ FIS-FT11301T 3-hole fiber stripper
- ⑪ Cooling Tray



Contact us

HEAD OFFICE: Nanjing Jilong Optical Communication Co., Lt
Add: Room 401-402, Building 14-1, Xingzhihui Business Garden, No.19 Xinghuo Road, Pukou District Nanjing, Jiangsu, 210032, China
Web: www.JILONGOT.com
Mail: info@jilongot.com
TEL: +86 25 58880885



Focus on official website for more